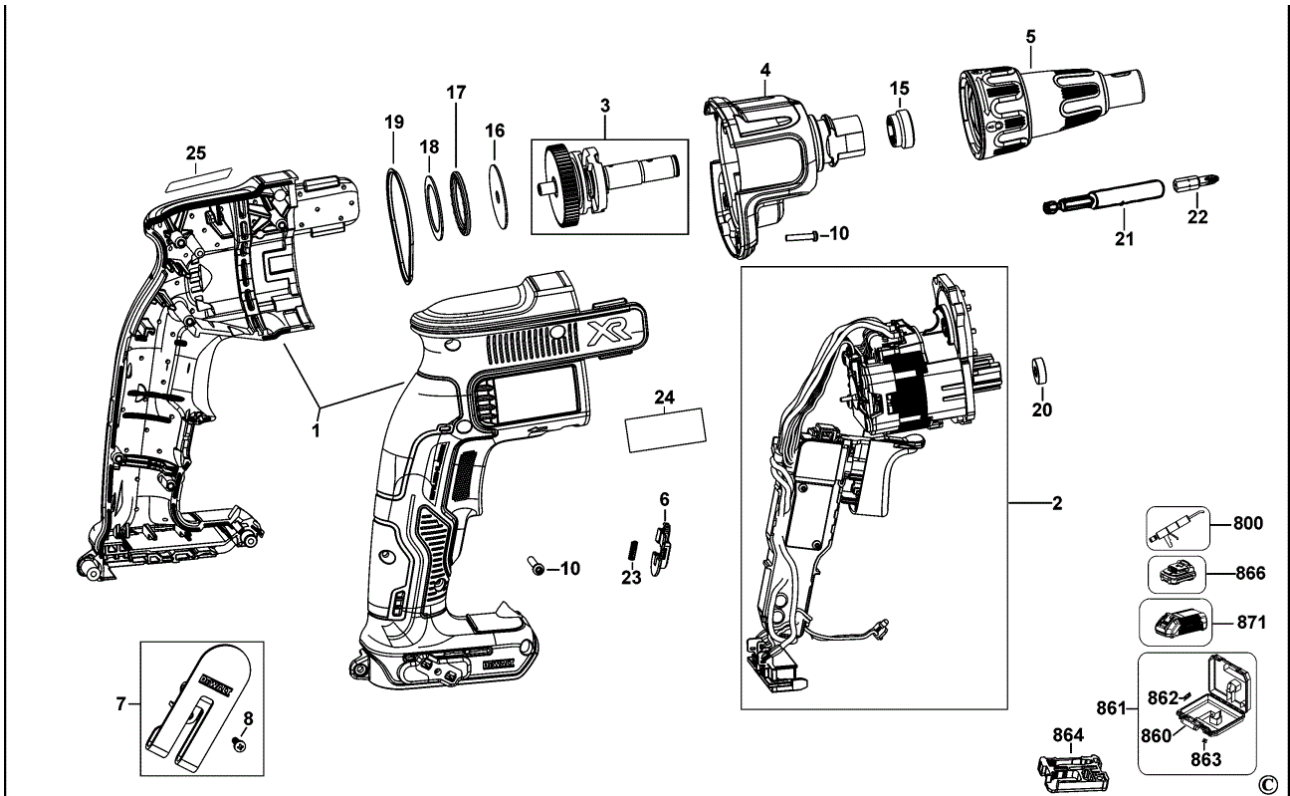


# Part Lists & Scheme Cordless Drill Driver 18 V DEWALT DCF620N



## Part Lists & Schem Cordless Drill Driver 18 V DEWALT DCF620N

Item No.	Product Number	Qty Per	Product Description	Type	Other Info
1	<a href="#">N178812</a>	1	CLAMSHELL SET	18V	
2	<a href="#">N456983</a>	1	MOTOR & SWITCH SA	18V	
3	<a href="#">N410831</a>	1	CLUTCH KIT		Inc 15
4	<a href="#">N410832</a>	1	GEARCASE SA		
5	<a href="#">N435495</a>	1	NOSE SA		
6	<a href="#">N257859</a>	1	TRIGGER LOCK-ON		
7	<a href="#">N435687</a>	1	HOOK SA		
8	<a href="#">N042665</a>	1	SCREW	M3 X 10	
10	<a href="#">682211-00</a>	11	SCREW		
15	<a href="#">N364699</a>	1	SLEEVE		
16	<a href="#">N383282</a>	1	WASHER THRUST		
17	<a href="#">605852-00</a>	1	THRUST BEARING		
18	<a href="#">N112274</a>	1	WASHER THRUST		
19	<a href="#">56122-00</a>	1	O RING		
20	<a href="#">N244399</a>	1	BEARING	5 X 13 X 4	
21	<a href="#">N449701</a>	1	HOLDER BIT		
22	<a href="#">607904-22</a>	1	BIT SCREWDRIVER	Drywall PR2	
23	<a href="#">N257879</a>	1	SPRING		
24	<a href="#">N403955</a>	1	RATING PLATE	EURO	
25	<a href="#">N333803</a>	1	BRAND LABEL	18V	
800	<a href="#">N017298</a>	1	GREASE 150 GMS	G-2008 Molykote	
860	<a href="#">H1400196008</a>	2	HANDLE		
861	<a href="#">N279261</a>	1	KITBOX	DWST1-17807 T-STAK11	
862	<a href="#">H1500082520</a>	2	LATCH		
863	<a href="#">P910190</a>	1	LATCH		
864	<a href="#">N384597</a>	1	INSERT		DCF620NT
866	<a href="#">N314783</a>	1	BATTERY 18V - 2.0AH - 36WH	Li-Ion - DCB183-XJ	DCF620D2
866	<a href="#">N394624</a>	1	BATTERY 18V - 5.0AH - 90WH	Li-Ion - DCB184-XJ	DCF620P2
871	<a href="#">N450537</a>	1	CHARGER 10.8V - 18V	DCB115-GB - 4.0A	